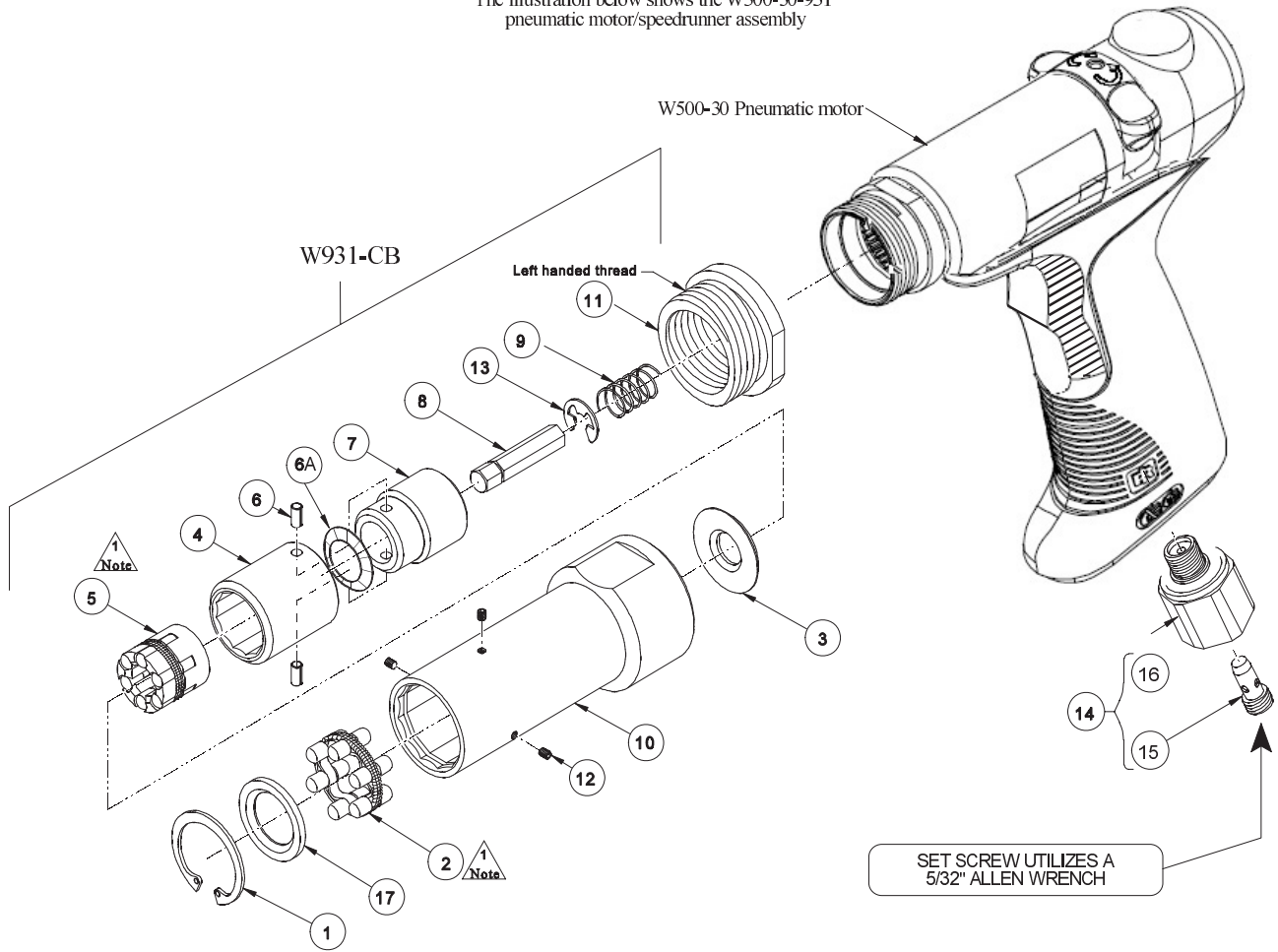




WEDGELOCK TEMPORARY FASTENER INSTALLATION

**W500-30-931-CB Speedrunner Assembly
Cylindrical Body Fastener Installation (CBX Series)**

The illustration below shows the W500-30-931 pneumatic motor/speedrunner assembly



Ordering Information

ITEM	PART NO.	DESCRIPTION	RQD
1	W921-CB-113	RETAINING RING	1
2 ^①	W931-CB-123	BODY ROLLER CAGE ASSY.	1
3	W931-CB-109	BODY WASHER	1
4	W931-CB-108	NUT ROLLER HOUSING	1
5 ^①	W931-CB-136	NUT ROLLER CAGE ASSY	1
6	W921-CB-111-2	ROLL PIN	2
6A	W921-CB-104-TW	THRUST WASHER	1
7	W921-CB-103-TW	HEX SHAFT ADAPTER	1
8	W931-CB-101	HEX PIN	1
9	W931-CB-117	COMPRESSION SPRING	1
10	W931-CB-102	HOUSING	1

ITEM	PART NO.	DESCRIPTION	RDQ
11 ^③	W931-CB-150	HOUSING NUT ADAPTER	1
12	W931-CB-118	#3-48 SOCKET SET SCREW	3
13	W931-CB-119	RETAINING RING	1
14	W500-30-100	AIR FLOW CONTROL ASSY	1
15	W500-28-100-002	AIR FLOW CONTROL SCREW	1
16	W500-30-100-004	AIR INLET BUSHING	1
17	W931-CB-120	WASHER	1

See Page H-3 for additional motor options

- ① See Page J-7 for component breakdown and assembly.
- ② See motor breakdown section for spare parts and assembly.
- ③ Not included with basic W931-CB speedrunner. See page J-3 for speedrunner ordering information.